



Microphones

MICROPHONES are at the source of any live or recorded broadcast.

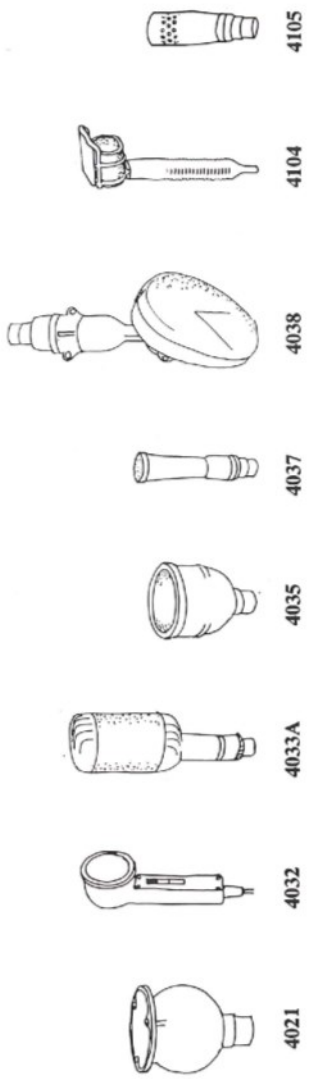
The situations in which they are used, however, differ widely from both an acoustical and operational point of view.

From long experience of many types this Company has singled out several excellent microphones designed to suit all applications.

Microphone Mountings

Desk and floor stands and suspension systems, with all the associated jacks and adaptors, can be supplied on request. For broadcasting and television studios microphone booms, boom stands, perambulators and all microphone attachments are available. Boom stands, fitted with all the latest attachments demanded by present day studio technique, are available.

Microphones are normally operated into an impedance which is 7-10 times higher than its nominal source impedance. They may be terminated by a minimum resistance of twice its nominal value but there may be some loss of frequency response and sensitivity and an increase in signal-to-noise ratio.



TYPICAL PARAMETERS AND DIMENSIONS

Type No.	Type	Nominal Impedance	Output Level (relative to 1 volt/dyne/cm ²)	Overall Dimensions	Weight	Field Characteristic
4021	Moving-coil General purpose	30 Ω	-80 dB	Sphere 2.5 in. (6.3 cm) dia.	1 lb (450 gm)	Omnidirectional
4032	Moving-coil O.B.	30 Ω	-78 dB	7 × 2.5 × 2.3 in. overall (17.8 × 6.3 × 5.8 cm)	12 oz. (350 gm)	Omnidirectional
4033A	Cardioid Orchestral	50 Ω	-80 to -85 dB	9 × 3 × 3½ in. overall (22.9 × 7.7 × 8.9 cm)	3 lb (1360 gm)	Omnidirectional, figure-of-eight or sharply cardioid
4035	Moving-coil wide-angle	30 Ω	-78 dB	2½ in. dia. × 2½ in. (6.3 × 6.3 cm)	12 oz. (350 gm)	Reasonably constant response over solid angle of 120°
4037	Moving-coil 'stick'	30 Ω	-84 dB	Long model 8½ in. (22.2 cm) long Short model 5½ in. (13.6 cm) long Mean dia. for each 1 in. (2.54 cm)	9.2 oz. (260 gm) 7 oz. (198 gm)	Omnidirectional
4038	Ribbon Orchestral	30 Ω	-85 dB	7¼ × 3¼ × 2¼ in. (18.4 × 8.3 × 6.1 cm overall)	2 lb 6 oz. (1.08 kg)	Bidirectional (Figure-of-eight)
4104	Lip	30 Ω	-102 dB	8 × 2¼ in. (20.3 × 5.5 cm)	10 oz. (283 gm)	Cardioid
4105	Small Directional	30 Ω	-72 dB	1.47 in. dia. × 3.6 in. long (3.73 × 9.15 cm)	6.3 oz. (177 gm)	Cardioid
LFV/59	Moving-coil talk-back	25 Ω	-88 dB	1 ⅞ × 11 in. (3 × 28 cm) overall including tube	9 oz. (250 gm)	Omnidirectional

Marconi

The Marconi Company Limited
 Marconi House, Chelmsford, Essex
 Telephone: Chelmsford 3221 · Telex: 99201
 Telegrams: Expanso Chelmsford Telex